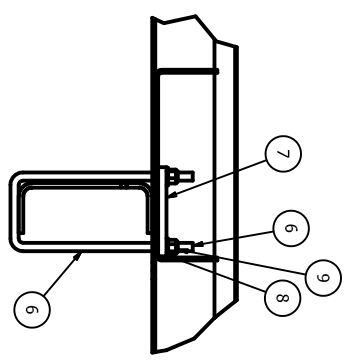
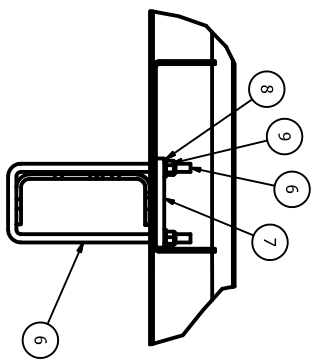
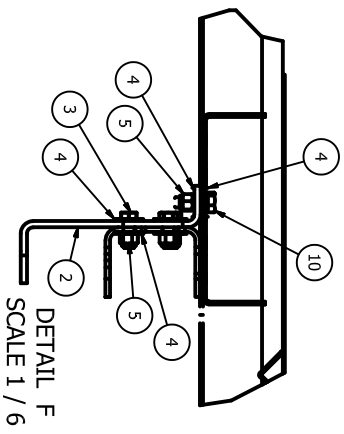
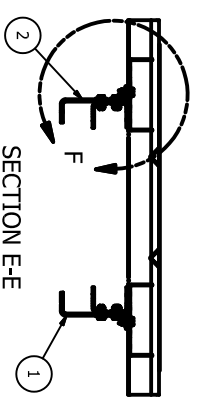
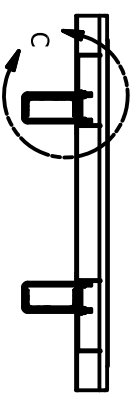
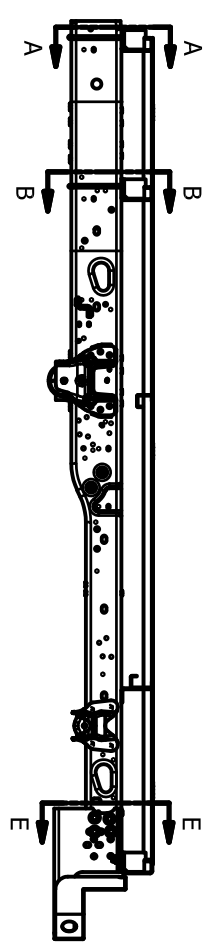
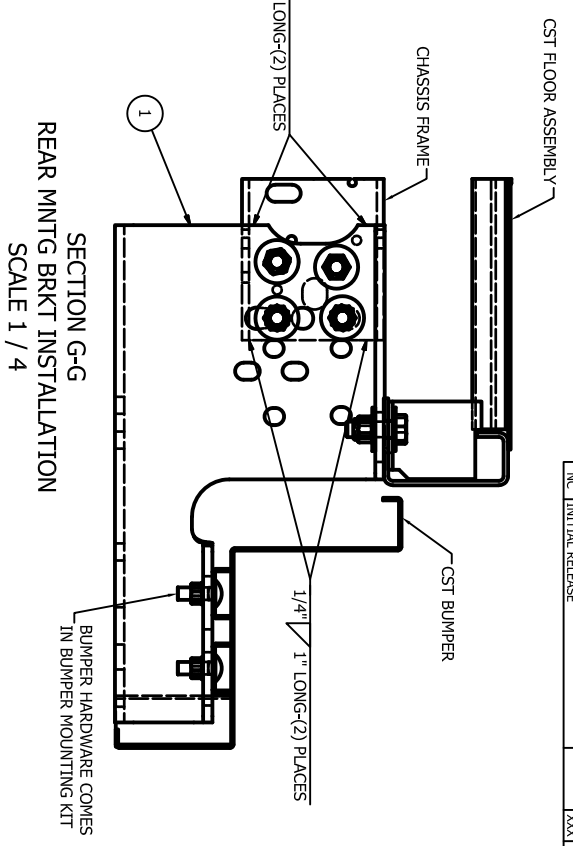
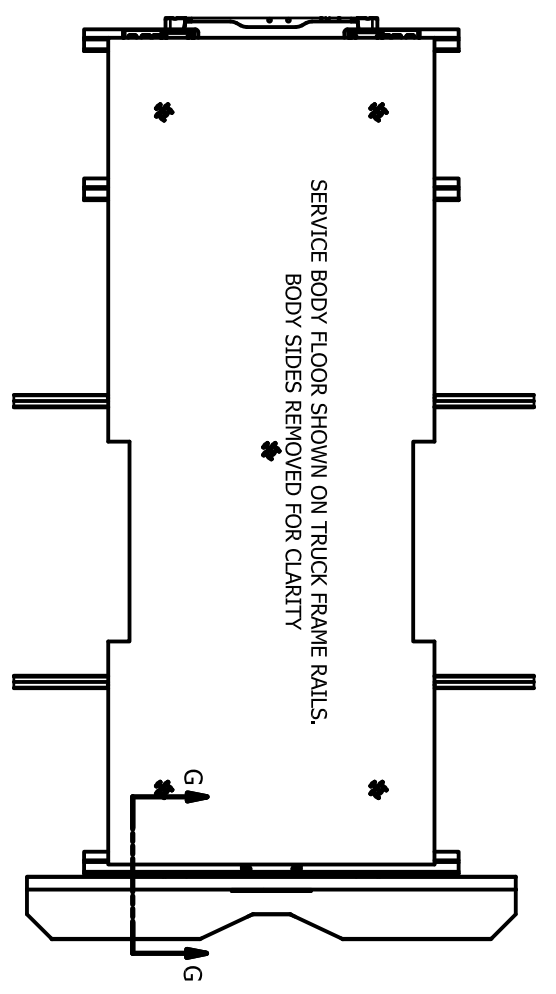


LET	REVISIONS	DATE	BY	ECO
NC	INITIAL RELEASE		XXX	F



ITEM	QTY	DMG ID	PART NUMBER	DESCRIPTION
1	1	4233	228821-01	BRACKET-REAR MOUNTING-LH
2	1	4233	228821-02	BRACKET-REAR MOUNTING-RH
3	8	9170	912516	SCREW 5/8-11 X 1.75 GR 8 HHC
4	20	9190	919880	WASHER 5/8 FLAT
5	10	9190	919526	NUT, 5/8-11 NYLON LOCK GR 8
6	4	9330	216876	U-BOLT-0.50\"/>

TITLE
CST 134 INSTALLATION-16' FORD

DATE: 07-24-17
SCALE: 1=16
DWG I.D.: 4233
DRAWING NO.: 209370-16F-84CA

STAHLL