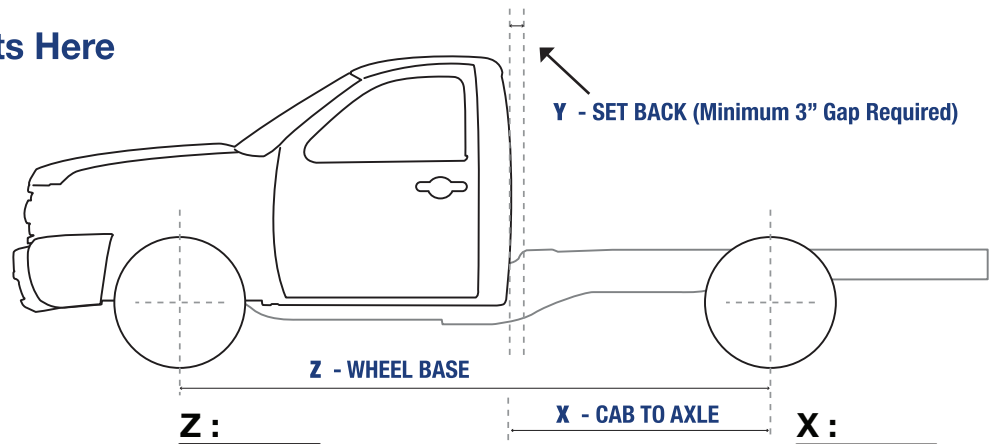


## Your Best Service Body Starts Here

To help you specify the work truck that's right for you, STAHL has created this SpecTips worksheet.

Before you get started, reference the Get Started Diagram (to the right) to take the three measurements you'll need in order to answer the questions below (your application may have unique requirements).



**1) What is the model year of the truck your service body will be mounted on?**

- 2023    2022    2021    2020    2019  
 2018    2017    2016    2015    Other: \_\_\_\_\_

**2) What is the make of the truck your service body will be mounted on?**

- Chevrolet / GMC    Ford    Dodge / RAM  
 Other: \_\_\_\_\_

**3) What is the model of your truck?**

- 2500HD / F250    3500HD / F350    4500 / F450  
 5500 / F550    Other: \_\_\_\_\_

**4) Is your truck a  4x2 (2WD) or  4x4 (4WD)?**

**5) Does your truck have a pick-up bed that will need to be removed in order to accommodate a service body?**

- Yes    No

**6) What is the rear axle configuration of your truck?**

- Single rear wheel axle    Dual rear wheel axle

**7) What is the cab-to-axle measurement of your truck?**

- 37" Dodge/RAM → 82" body  
 40" Ford → 82" body  
 55" Chevrolet/GMC → 98" body  
 56" → 98" body  
 60" → 108"/110" body  
 84" → 132"/134" body  
 Other: \_\_\_\_\_

**8) What type of engine does your truck have?**

- Gasoline    Diesel    Other: \_\_\_\_\_

**9) How many fuel tanks does your truck have and where are they located?**

- One tank located In front of the rear axle  
 One tank located behind the rear axle  
 Two tanks one in front of and one behind the rear axle

**10) What is the gross vehicle weight rating (GVWR) of your truck?**

\_\_\_\_\_  
*Locate the gross GVWR on the door pillar of the driver's side of the vehicle. The GVWR is the total weight that is allowed for your vehicle.*

### Additional Truck Service Body Considerations

There are many other service body features you can choose to configure a work truck that's designed around you, such as:

- An open or closed load space
- Lighting options
- Truck-mounted tools/equipment
- Tool/material handling devices
- Compartment security
- Towing capability

For more information on available features, visit [stahltruckbodies.com/spectips](http://stahltruckbodies.com/spectips).